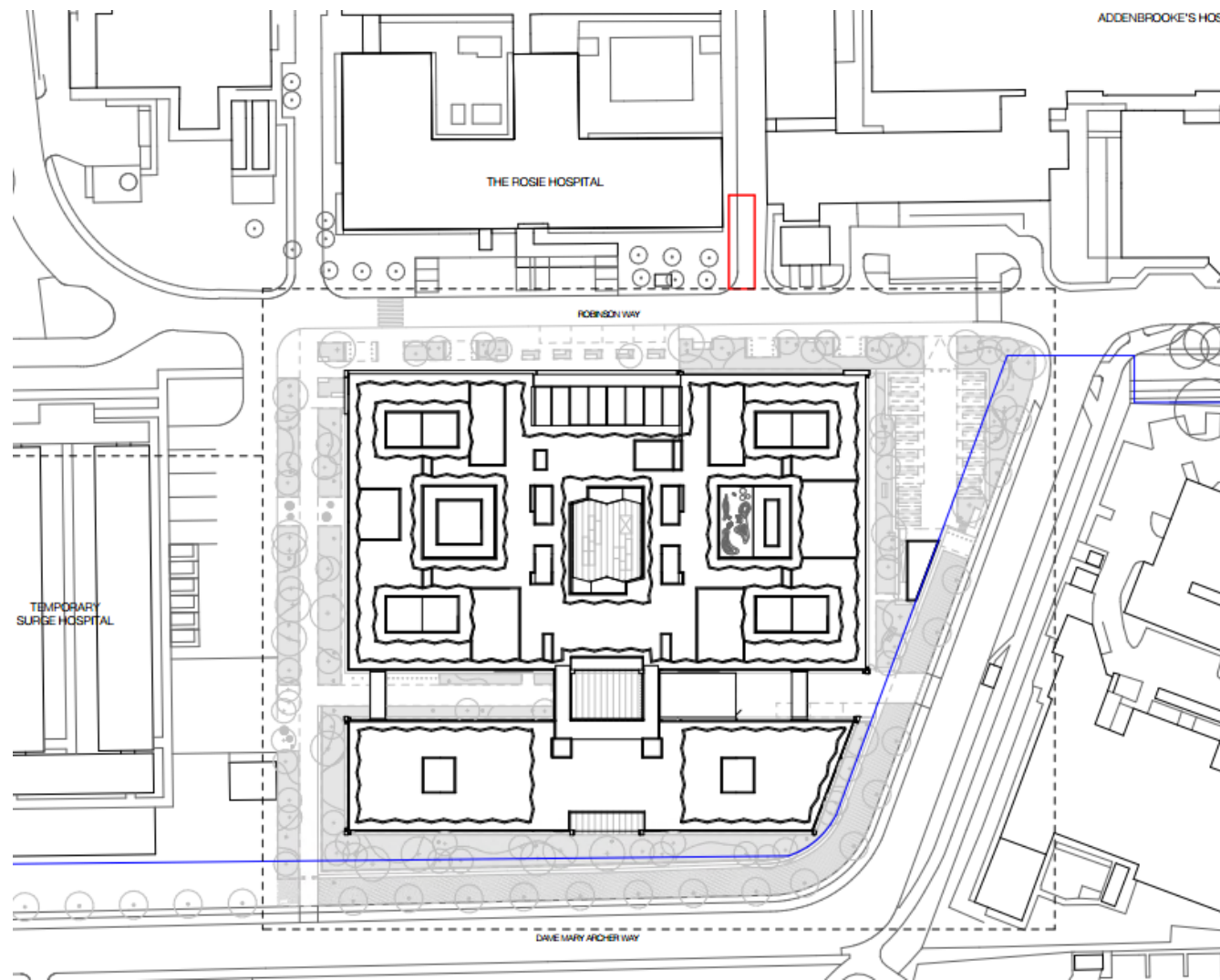


21/04337/FUL

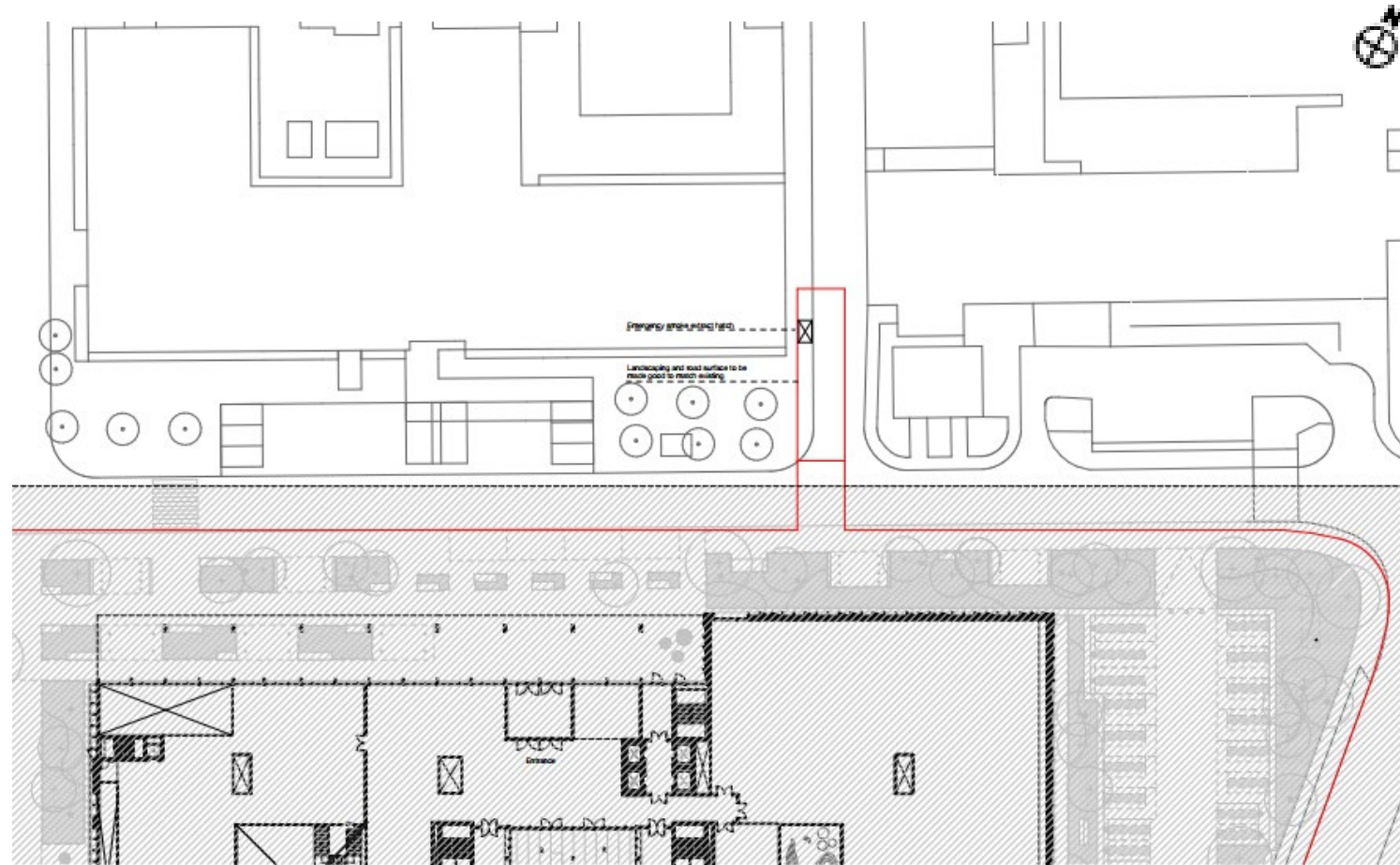
Underground Service Corridor to serve the proposed new Cambridge  
Children's Hospital, Cambridge Biomedical Campus

Drawing Pack

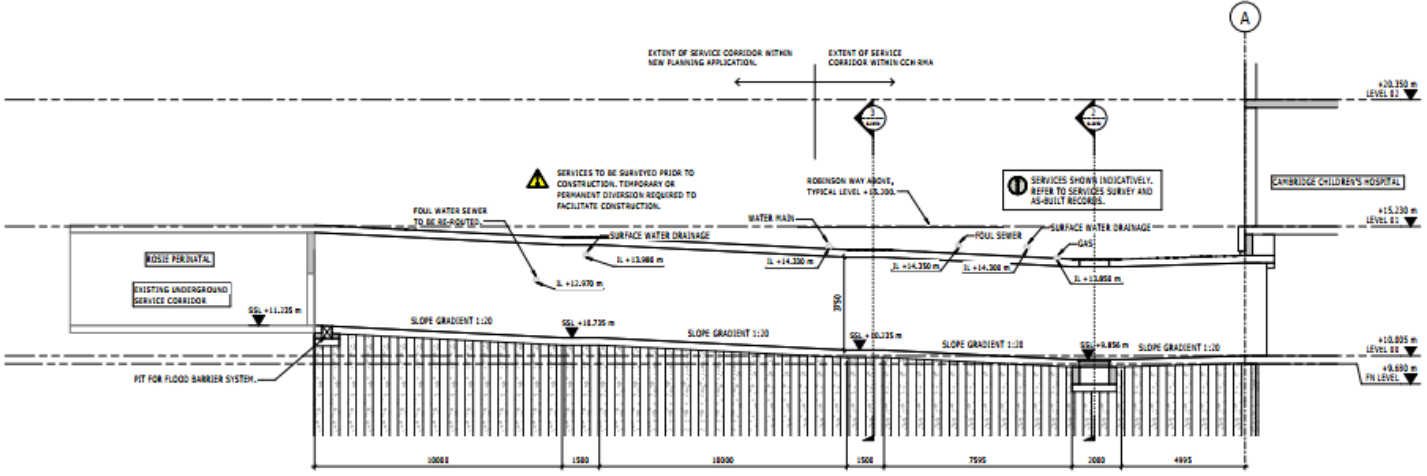
# Site Location Plan



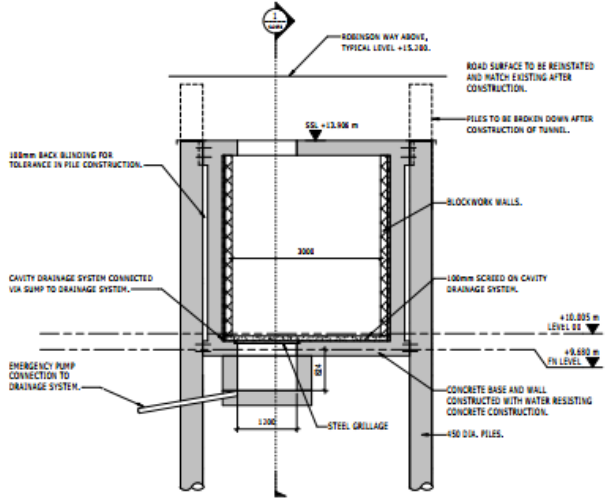
# Site Plan



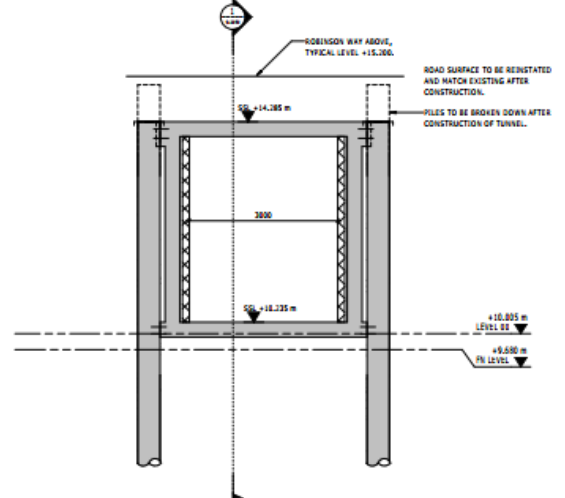
# Cross Sections



SECTION 1  
1:100  
5-0706  
UNDERGROUND SERVICE CORRIDOR - SECTION 1



SECTION 2  
1:50  
5-0706  
UNDERGROUND SERVICE CORRIDOR - SECTION 2



SECTION 3  
1:50  
5-0856  
UNDERGROUND SERVICE CORRIDOR - SECTION 3