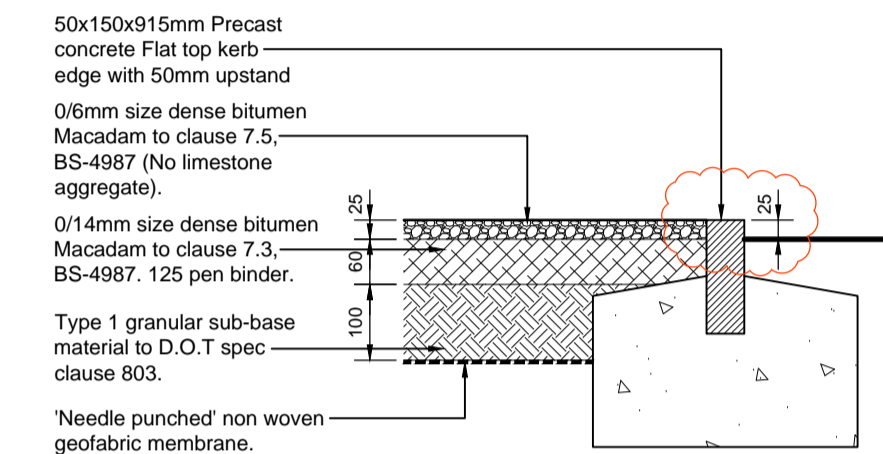
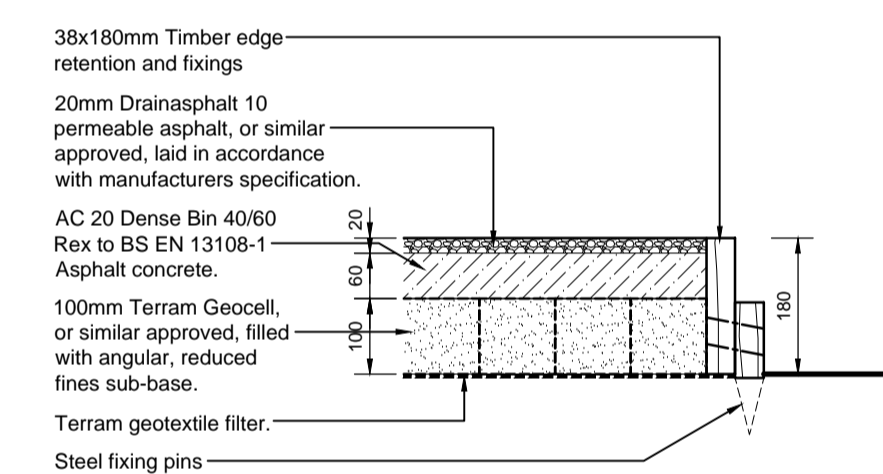


KEY	
	PLANTING ZONE
	INFORMAL FOOTPATH
	CYCLEWAY/FOOTPATH ASSUMED ADOPTION BY CAMBRIDGE CITY COUNCIL
	FUTURE CYCLEWAY/FOOTPATH THROUGH COMMUNITY GARDEN
	LIMIT OF ADOPTION BY CAMBRIDGE CITY COUNCIL
	ELECTRIC FEEDER PILLAR

- SPECIFICATION FOR WORKS FOR PLANTING ZONE**
- Clear Area of perennial weeds using a herbicide application. Allow a period of time as recommended by the manufacturer to elapse before grading/cultivating.
 - Loosen soil/sub-soils with a 3 line ripper or similar, 300-400mm deep at 600mm centres.
 - Rotovate all planting areas to a depth of 250mm.
 - Grade area level ready to receive planting.
 - Plant native mix of shrubs, 60-80cm bare root transplants, e.g. Viburnum opulus, Cornus sanguinea, Prunus spondia.
 - Strata to receive rabbit spiral guards.
 - Area to receive 50mm depth bark mulch.
 - Thicker planting to take place between the months of November to March.

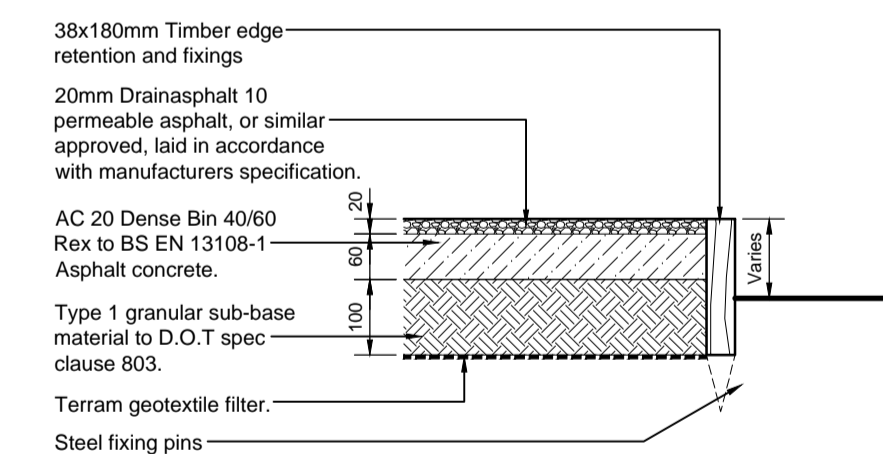


CF-01: FORMAL CYCLEWAY/FOOTPATH CONSTRUCTION DETAIL
 Scale 1:10



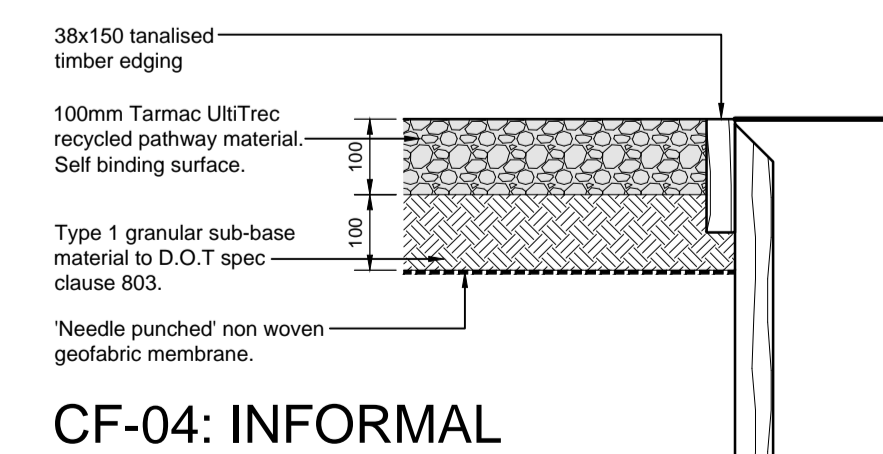
CF-02: 'NO DIG' PERMEABLE PATH CONSTRUCTION
 Scale 1:10

75mm DIAMETER HOLES SHALL BE CORED IN BINDER COURSE (THE USE OF BREAKER OR PECKER IS NOT PERMITTED) AT 750mm CENTRES.

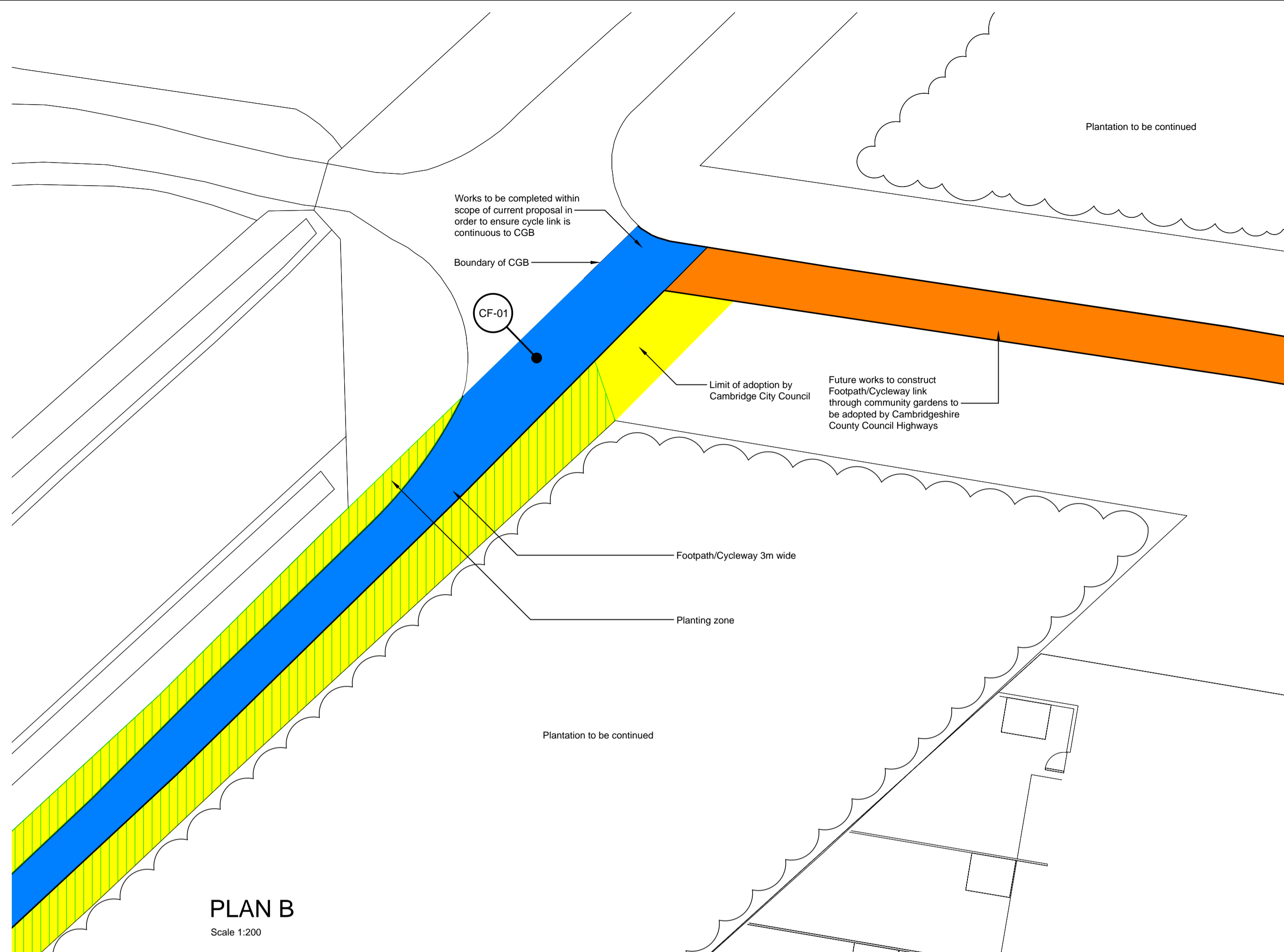


CF-03: PERMEABLE CUT THROUGH CONSTRUCTION
 Scale 1:5

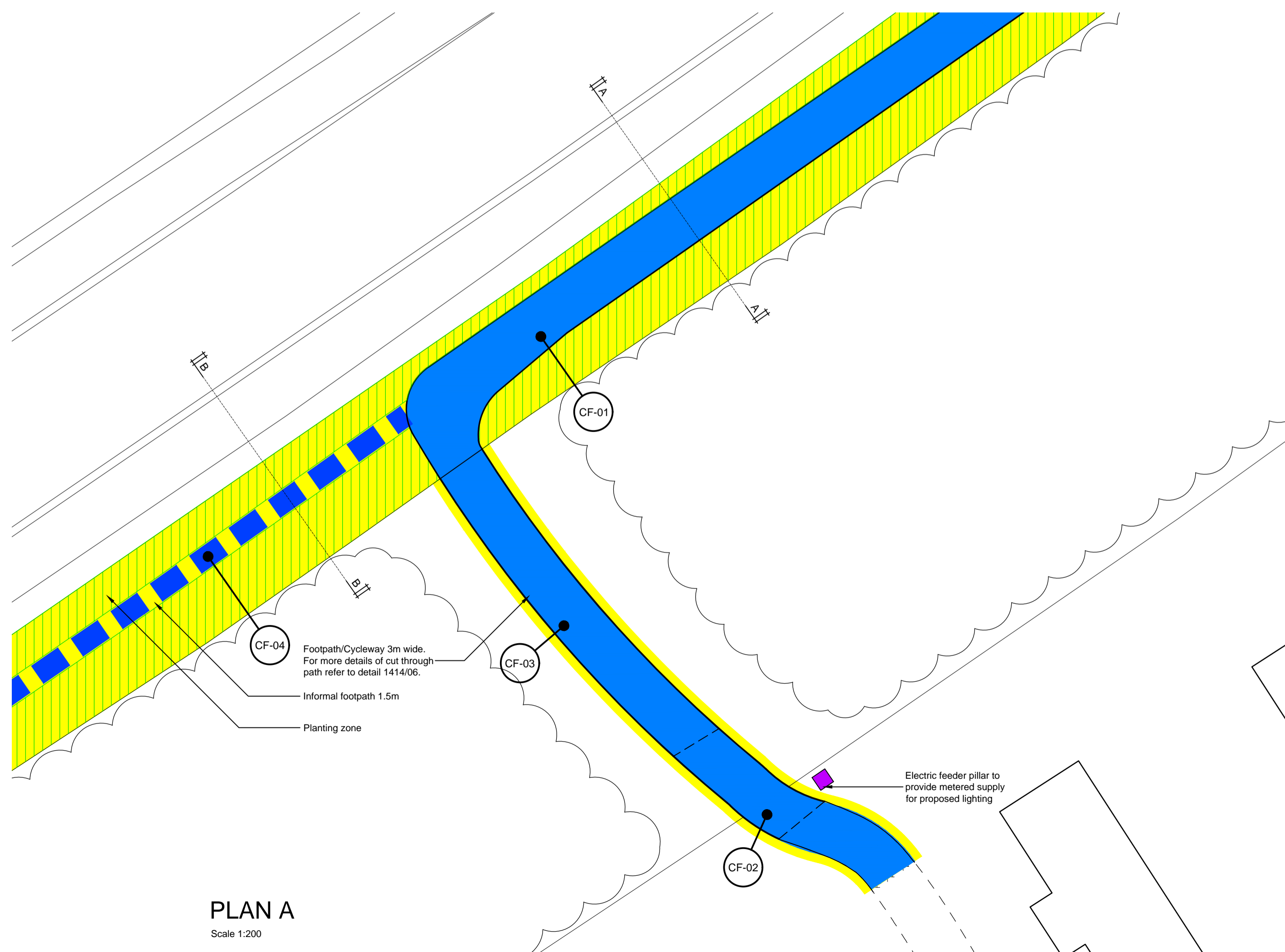
75mm DIAMETER HOLES SHALL BE CORED IN BINDER COURSE (THE USE OF BREAKER OR PECKER IS NOT PERMITTED) AT 750mm CENTRES.



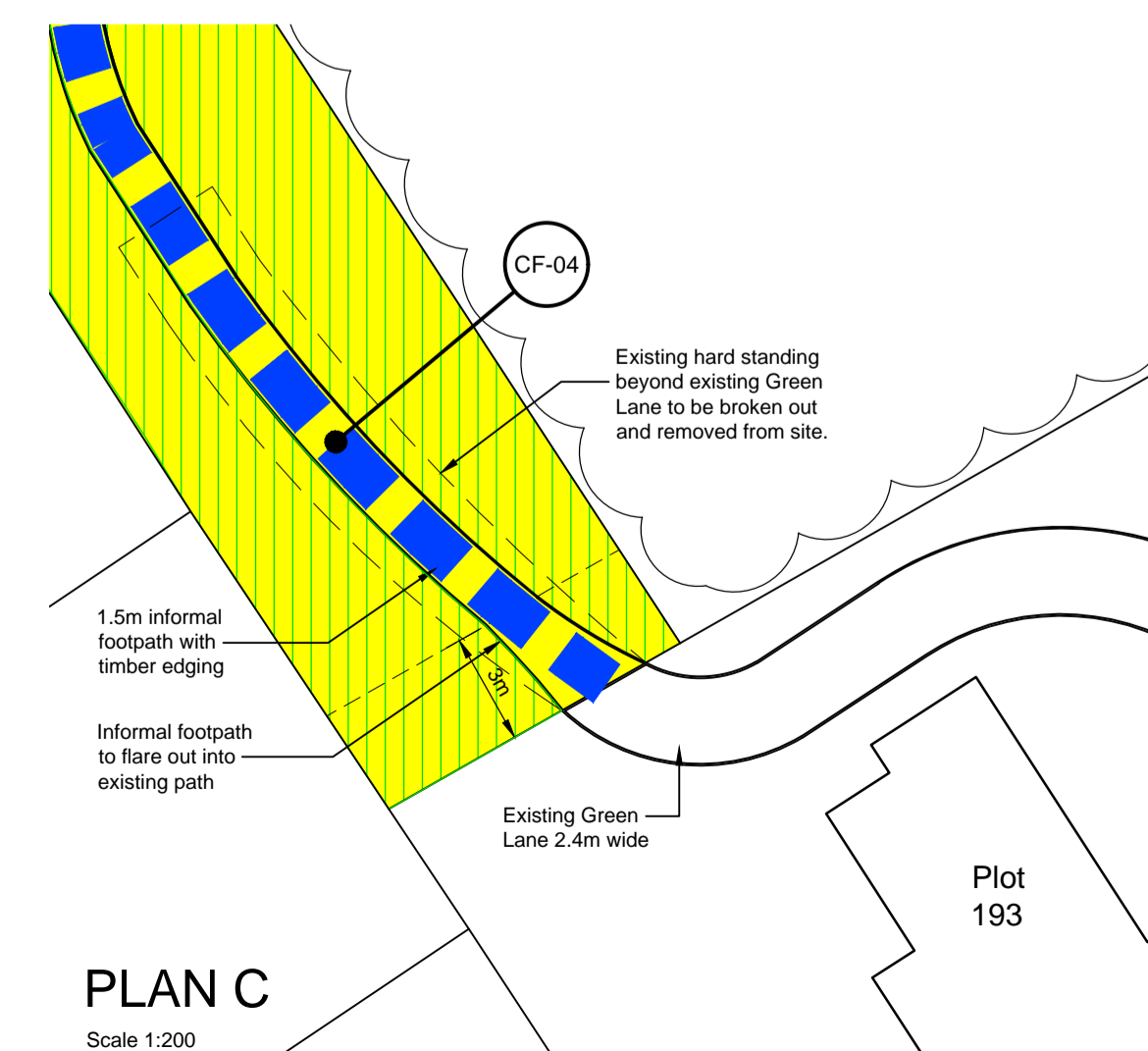
CF-04: INFORMAL CYCLEWAY/FOOTPATH CONSTRUCTION DETAIL
 Scale 1:10



PLAN B
 Scale 1:200



PLAN A
 Scale 1:200

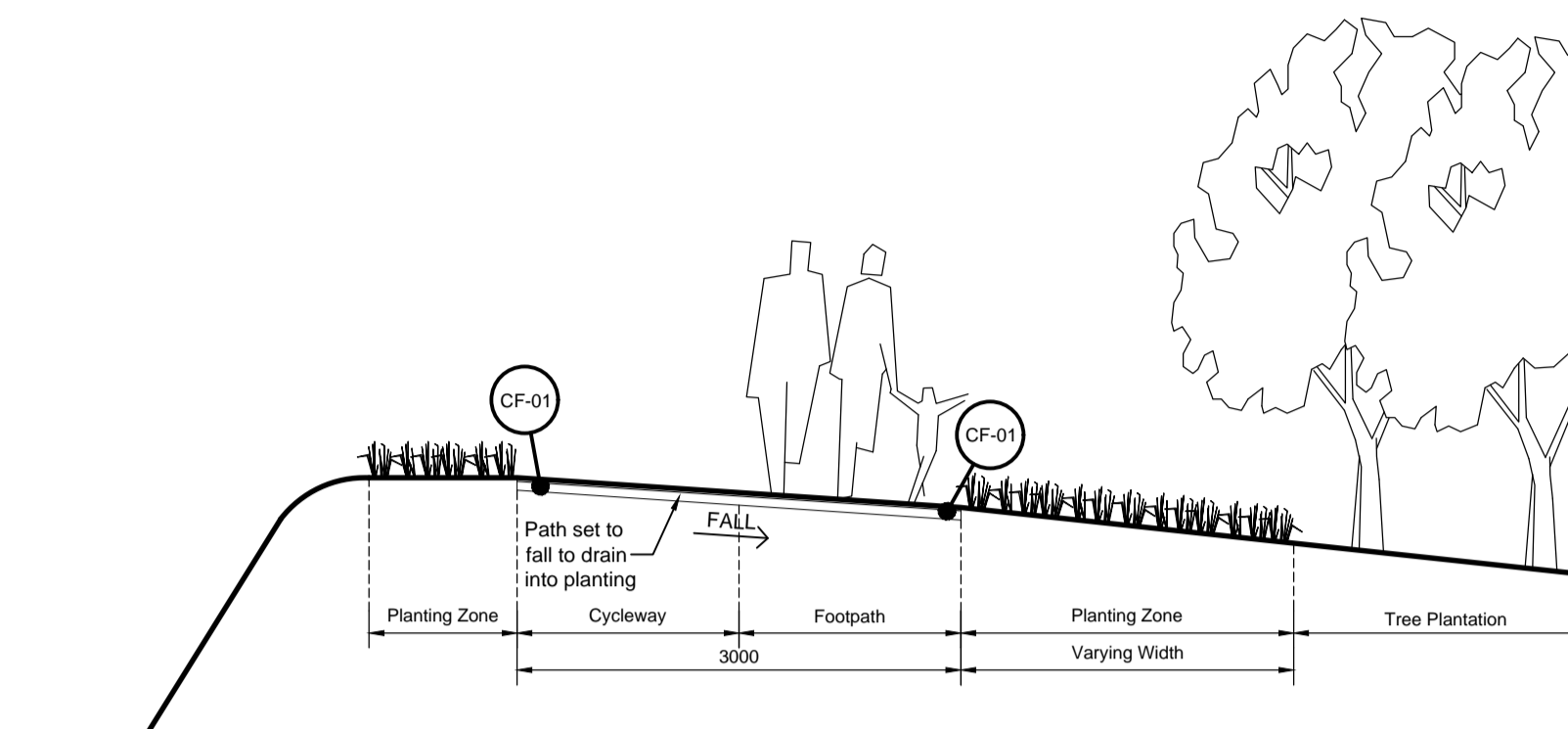


PLAN C
 Scale 1:200

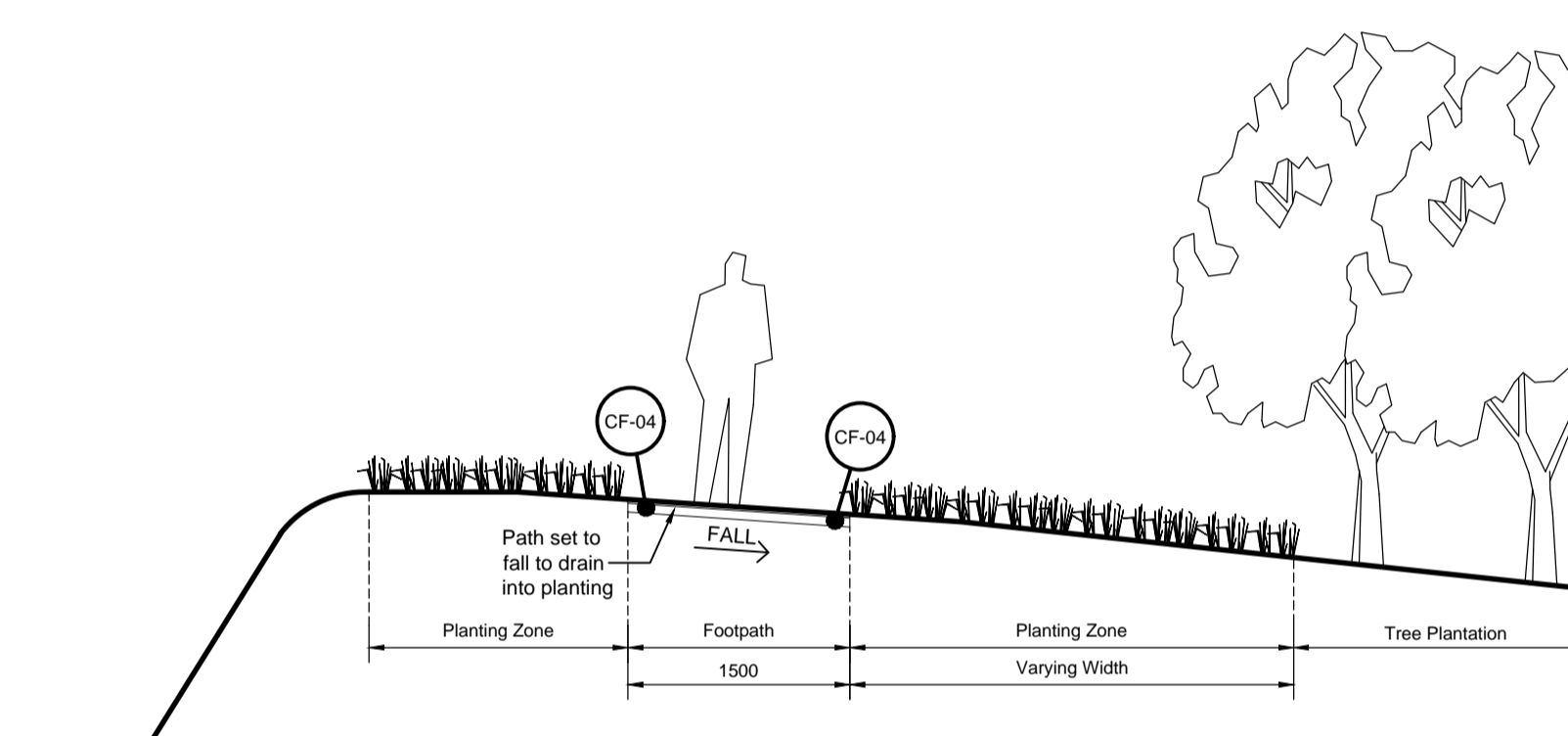
NOTE:
 All Contractors/Sub-Contractors must carry out their own Hazard Identification and Risk Assessment for all works that they will be undertaking. All contractors/Sub-Contractors must provide a Method Statement which identifies their method of carrying out the works and eliminating all Hazards associated with the Task. All Contractors/ Sub-Contractors are responsible for ensuring that their operatives carry out works in accordance with the Method Statement which they provide.

DO NOT SCALE FROM DRAWING.
 If you require clarification of any dimensions please contact: Esposito Mclean Architectural Consultants Ltd
 This drawing should not be copied or reproduced in whole or in part, nor used in conjunction with any project with or without permission and remains the copyright of Esposito Mclean Architectural Consultants Ltd

A1 SHEET



SECTION A-A CYCLEWAY/FOOTPATH FROM ABODE TO CGB
 Scale 1:50



SECTION B-B INFORMAL FOOTPATH FROM ABODE TO GREEN ROAD LINK
 Scale 1:50

rev	date	by	description
PL3	14/12/17	ASD	Footpath/Cycleway corner widened to avoid conflict and details amended.
PL2	07/12/17	ASD	Plan C added, Details CF-01 - 04 and references added.
PL1	07/11/17	ASD	Plan A path route amended and Tree indicated in accordance with Arboricultural Report.

ESPOSITO MCLEAN
 Architectural Consultants
 UNIT 6 - CHANCERS FARM - FOSSETTS LANE - FORDHAM COLCHESTER - ESSEX - CO6 3NY
 Telephone: 01206 241809 - Fax: 01206 243478
 studio@espositomclean.co.uk - www.espositomclean.co.uk

client: New Homes and Communities Countryside Properties (UK) Ltd
 Countryside House The Drive Brentwood Essex CM13 3AT
 Tel: 01277 260000 Fax: 01277 690690

project: **Clay Farm, Great Knighton, Cambridge**

plan title: **Cycleway/Footpath Link Plans and Details**

scale: 1:500 @ A1	drawn by: ASD
date: July 2017	checked: SMc
drawing no: 1414/05	revisions: PL3

PLANNING USE